

REECHCRAFT™  
***Bronco***™

**OPERATOR'S SAFETY MANUAL**



**It is very important that you read, understand and obey the contents of this manual! Keep it with the all-terrain scaffold at all times.**

The purpose of this manual is to provide safe and proper operating procedures for anyone utilizing the benefits of this all-terrain scaffold.

Because we at ReechCraft, Inc. are always working to improve our products, processes and procedures, we reserve the right to make changes without prior notice. Please contact us at ReechCraft for updated information.

## **SAFETY ALERT SYMBOLS AND SAFETY SIGNAL WORDS**



This is the Safety Alert Symbol. It is used throughout this manual and on the all-terrain scaffold to alert you to potential personal injury hazards. Understand and obey all safety messages that correspond with this symbol to avoid possible injury or death.



**INDICATES AN IMMINENTLY HAZARDOUS SITUATION AND IF NOT AVOIDED WILL RESULT IN SERIOUS INJURY OR DEATH. THIS DECAL WILL HAVE A RED BACKGROUND.**



**INDICATES A POTENTIALLY HAZARDOUS SITUATION. IF NOT AVOIDED, COULD RESULT IN SERIOUS INJURY OR DEATH. THIS DECAL WILL HAVE AN ORANGE BACKGROUND.**



**INDICATES A POTENTIALLY HAZARDOUS SITUATION THAT IF NOT AVOIDED, MAY RESULT IN MINOR OR MODERATE INJURY. IT MAY ALSO ALERT AGAINST UNSAFE PRACTICES. THIS DECAL WILL HAVE A YELLOW BACKGROUND.**

 **WARNING**

**THIS PRODUCT MUST COMPLY WITH ALL SAFETY RELATED BULLETINS. CONTACT REECHCRAFT, INC. OR THE LOCAL AUTHORIZED REECHCRAFT REPRESENTATIVE FOR INFORMATION REGARDING SAFETY RELATED BULLETINS WHICH MAY HAVE BEEN ISSUED FOR THIS PRODUCT.**

 **NOTICE**

**REEHCRAFT MUST BE NOTIFIED IMMEDIATELY IN ALL INSTANCES WHERE OUR PRODUCTS HAVE BEEN INVOLVED IN AN ACCIDENT INVOLVING BODILY INJURY OR DEATH OF PERSONNEL OR WHERE SUBSTANTIAL PERSONAL PROPERTY DAMAGE OR DAMAGE TO THE REECHCRAFT PRODUCT HAS OCCURRED.**

**FOR:**

- **Accident Reporting**
- **Product Safety Publications**
- **Current Owner Updates**
- **Product Safety Questions**
- **Standards and Regulations Compliance Information**
- **Questions Regarding Special Applications**
- **Questions Regarding Product Modifications**

**CONTACT:**

**Technical Safety and Engineering Department**

845 34th St N

Fargo, ND 58102

Toll Free: 888-600-6160

E-mail: [customer.service@reechcraft.com](mailto:customer.service@reechcraft.com)

# REVISION LOG

Original Version of Manual..... May 1, 2019

## TABLE OF CONTENTS

### SECTION - INFORMATIONAL

FOREWORD.....	2
SAFETY ALERT SYMBOLS & SAFETY WORDS.....	2-3
CONTACT .....	3
REVISION LOG.....	4

### SECTION - 1 - SAFETY PRECAUTIONS..... 6

1.1 GENERAL.....	6
1.2 PRE-OPERATION .....	6
Operator Preparedness .....	6
Work Site Inspection .....	7
All-Terrain Scaffold Inspection.....	7
1.3 OPERATION .....	8
General .....	8
Fall Hazards.....	8
Tipping Hazards .....	8
Electrocution Hazard.....	9

### SECTION - 2 - PREPARATION & INSPECTION ..... 10

2.1 PERSONNEL REQUIREMENTS .....	10
Operator Requirements.....	10
Operator Responsibilities .....	10
2.2 PREPARATION, INSPECTION & MAINTENANCE .....	11
Pre-Start Inspection .....	11
2.3 DAILY WALK-AROUND INSPECTION .....	12
Walk-Around Inspection Components .....	13
2.4 FUNCTION CHECK.....	14
Function Check Items .....	14

### SECTION - 3 - ALL-TERRAIN SCAFFOLD OPERATION ..... 15

3.1 GENERAL.....	15
3.2 ALL-TERRAIN SCAFFOLD DESCRIPTION .....	15
3.3 ALL-TERRAIN SCAFFOLD SET-UP.....	16
Getting Started .....	16
3.4 WEIGHT DISTRIBUTION.....	17

3.5 PLATFORM CONFIGURATION..... 17

**SECTION - 4 - EMERGENCY PROCEDURES..... 18**

4.1 INCIDENT NOTIFICATION..... 18

**SECTION - 5 - GENERAL SPECIFICATIONS ..... 19**

5.1 INTRODUCTION..... 19

5.2 DECAL CONTENTS & LOCATION..... 19

5.3 ALL-TERRAIN SCAFFOLD SPECIFICATIONS ..... 20

**SECTION - 6 - SERVICE & MAINTENANCE..... 22**

6.1 MAINTENANCE SAFETY PRECAUTIONS ..... 22

    General ..... 22

    Maintenance Safety..... 23

6.2 PREPARATION, INSPECTION & MAINTENANCE ..... 24

    General ..... 24

    Preparation, Inspection & Maintenance ..... 24

    Pre-Start Inspection ..... 24

    Frequent & Pre-Delivery Inspection..... 24

    Annual All-Terrain Scaffold Inspection ..... 25

6.3 PREVENTIVE MAINTENANCE & INSPECTION SCHEDULE ..... 25

    Inspection & Maintenance Codes ..... 25

6.4 SERVICING & MAINTENANCE GUIDELINES..... 26

    General ..... 26

    Safety & Workmanship ..... 27

    Cleanliness ..... 27

6.5 DECAL REPLACEMENT..... 27

    All-Terrain Scaffold Log ..... 28

**SECTION - 7 - WARRANTY ..... 30**

7.1 NORTH AMERICAN END-USER LIMITED WARRANTIES..... 30

# SECTION 1

## SAFETY PRECAUTIONS

### 1.1 General

This section is the starting point for establishing habitual precautions for safe operation of the all-terrain scaffold. This manual is your guide in developing a daily routine that focuses on safety and proper maintenance of the all-terrain scaffold prior to each use. A maintenance program must be established and conducted by a qualified person to ensure the all-terrain scaffold is in safe working condition before it is operated.

**Before operating the all-terrain scaffold, the operator shall:**

1. Read, understand and obey the operating instructions and safety rules in this manual.
2. Obey all labels, warnings and instructions located on the all-terrain scaffold.
3. Be sure that all occupants of the all-terrain scaffold wear appropriate personal protection equipment (PPE) for the conditions.

If there are any questions regarding safety, training, maintenance, inspection, application or operation of the all-terrain scaffold, please contact ReechCraft.



**FAILURE TO COMPLY WITH THE SAFETY PRECAUTIONS LISTED IN THIS MANUAL COULD RESULT IN ALL-TERRAIN SCAFFOLD DAMAGE, PROPERTY DAMAGE, PERSONAL INJURY OR DEATH.**

### 1.2 Pre-Operation

#### Operator Preparedness



Figure 1-1 Read your manual

- Do not operate this all-terrain scaffold until the operator has read and fully comprehends the Operator's Safety Manual of the all-terrain scaffold.
- Only competent personnel may operate the all-terrain scaffold.
- Read, fully comprehend and obey all DANGERS, WARNINGS, CAUTIONS and operating instructions on the all-terrain scaffold and in this manual.
- Only use this all-terrain scaffold in a manner which is within the scope of the intended application set by ReechCraft.

- All operating personnel must read, comprehend and obey all applicable employer, local and governmental regulations as they pertain to the safe operation of the all-terrain scaffold.

## Work Site Inspection

- The operator is to take measures to identify and avoid all hazards in the work area that will affect the safe operation of the all-terrain scaffold.

## All-Terrain Scaffold Inspection

- Before all-terrain scaffold operation, perform walk around inspections and function checks. Refer to Section 2 of this manual for further instructions.
- No one shall operate the all-terrain scaffold until it has been inspected, serviced and maintained according to the requirements in this manual.



### **MODIFICATION OR ALTERATION OF ALL-TERRAIN SCAFFOLD SHALL BE MADE ONLY WITH PRIOR WRITTEN PERMISSION FROM THE MANUFACTURER**

- Do not operate any all-terrain scaffold on which the safety decals or instruction placards are missing or illegible.
- Avoid any build up of debris on platform floor. Keep mud, oil, grease and other slippery substances from footwear and the platform floor.

## 1.3 Operation

### General

- Do not use the all-terrain scaffold for any purpose other than positioning personnel, their tools, equipment and materials.
- Never operate an all-terrain scaffold that is not working properly. If a malfunction occurs, contact ReechCraft.
- Unless in an emergency, do not allow personnel to tamper with the all-terrain scaffold from the ground with personnel on the platform.
- The operator shall not mount the platform unless the bearing surface is stationary and capable of supporting the intended load.

### Fall Hazards

- Before operating the all-terrain scaffold, make sure the back leg is in the proper position. Be sure the platform is properly placed on the all-terrain scaffold unit before mounting.
- Keep both feet firmly positioned on the platform at all times. Never use ladders, boxes, steps, planks or any other item on the platform to provide additional height for greater reach.
- Always use extreme caution when mounting or dismounting the platform.
- Always maintain three points of contact with the all-terrain scaffold. “3 point contact” means using two hands and one foot or two feet and one hand at all times while mounting or dismounting the platform.

### Tipping Hazards

- Be sure the bearing surface is solid, stationary and capable of supporting the intended load.
- Before mounting the platform, ensure that all locking pins are fully engaged.
- Check the back leg label to be sure the horizontal line is parallel to the ground and the vertical line is plumb.



- Before using the all-terrain scaffold on floors and other surfaces, check allowable capacity of the surfaces.
- Never exceed the maximum platform capacity. Distribute loads evenly on platform.

## Electrocution Hazard

- This all-terrain scaffold is not insulated and will not provide protection from contact or proximity to electrical current.
- Maintain distance from electrical lines, apparatus or any energized (exposed or insulated) parts according to the Minimum Approach Distance (MAD) as shown in Table 1-1.
- Maintain a clearance of at least 10 ft (3 m) between any part of the all-terrain scaffold and its occupants, their tools and their equipment from any electrical line or apparatus carrying up to 50,000 volts. 1 ft (.3 m) additional clearance is required for every additional 30,000 volts or less.
- The minimum safe approach distance may be reduced if insulating barriers are installed to prevent contact, and if the barriers are rated for the voltage of the line being guarded. These barriers shall not be part of (or attached to) the all-terrain scaffold. The minimum safe approach distance shall be reduced to a distance within the designed working dimensions of the insulating barrier. This determination shall be made by a qualified person in accordance with employer, local or governmental requirements for work practices near energized equipment.

**Table 1-1** Minimum Approach Distances (M.A.D.)

VOLTAGE RANGE (PHASE TO PHASE)	MINIMUM SAFE APPROACH DISTANCE - FEET (METERS)
0-50KV	10 (3)
Over 50KV to 200KV	15 (5)
Over 200KV to 350KV	20 (6)
Over 350KV to 500KV	25 (8)
Over 500KV to 750KV	35 (11)
Over 750KV to 1000KV	45 (14)

**NOTE:** This requirement shall apply except where employer, local or governmental regulations are more stringent.

# SECTION 2

## PREPARATION & INSPECTION

### 2.1 Personnel Requirements

This all-terrain scaffold is intended to be used as a personnel handling device and must be operated and maintained by competent personnel only.

Anyone under the influence of drugs, alcohol or are subjected to bouts of dizziness, seizures or loss of physical control must not operate this all-terrain scaffold.

#### Operator Requirements

Before operating this all-terrain scaffold, the operator must read and comprehend this manual.

##### The operator must be familiar with:

1. Use and limitations of the components of the all-terrain scaffold including the specification requirements.
2. Instruction and warning decals on the all-terrain scaffold and in this manual.
3. Employer and government regulations.
4. Use of approved fall protection device (where applicable).
5. Sufficient mechanical aptitude and knowledge of the all-terrain scaffold to recognize a component malfunction or a potential malfunction.
6. The safest means to operate the all-terrain scaffold where overhead and ground hazards are present. These hazards include: overhead obstructions, additional moving equipment, obstacles, depressions, drop-offs, etc.
7. A means to avoid unprotected electrical conductors.
8. The specific job requirements.

#### Operator Responsibilities

The exercise of good judgment, safety control, and caution in evaluating each situation is the responsibility of the Operator. The Operator must stop using the all-terrain scaffold in the event of a malfunction or other unsafe condition of the all-terrain scaffold or job site.

## 2.2 Preparation, Inspection & Maintenance

### Pre-Start Inspection

The Pre-Start Inspection should include each of the following:

1. **Cleanliness** - Check all surfaces for debris or foreign objects.
2. **Decals** - Check for cleanliness and legibility. Make sure none of the decals are missing. Make sure all illegible decals are cleaned or replaced. (Reference Section 5.2 Decal Contents and Location)
3. **Safety, Service** - Make sure a copy of the Operator's and Safety manual is accessible and stored in a safe place.
4. **Set-Up** - Make sure the all-terrain scaffold is set-up in accordance with Section 3.4.
5. **Walk-Around Inspection** - Refer to Section 2.3.
6. **Function Check** - Once the Walk-Around Inspection is complete, perform a function check of all systems in an area free of all over-head or ground level obstructions. Refer to Section 2.4 for additional information.

The following table outlines the periodic all-terrain scaffold inspection and maintenance recommended by ReechCraft. Consult local regulations for further requirements.

The frequency of inspections and required maintenance must be increased if the all-terrain scaffold is exposed to harsh conditions, increased use or if the all-terrain scaffold is used in a severe manner.

**Table 2-1** Inspection and Maintenance

TYPE	FREQUENCY	PRIMARY RESPONSIBILITY	SERVICE QUALIFICATION	REFERENCE
Pre-start Inspection	Before starting each day or at shift change	Operator	User or Operator	Operator's and Safety Manual
Frequent Inspection	In service or out of service for 3 mo. Or purchased used	Owner, Dealer or User	User or Operator	Operator's and Safety Manual
Annual Inspection	Every 12 Months	Owner, Dealer or User	User or Operator	Operator's and Safety Manual
Replacement	When locking pins are worn or damaged	Owner, Dealer or User	User or Operator	Operator's and Safety Manual

**NOTE:** Use this manual to perform inspections

## 2.3 Daily Walk-Around Inspection

Begin the Daily Walk-Around Inspection starting at item one (1) as noted on the diagram Figure 2-1. Continue around the all-terrain scaffold checking each item in sequence for the conditions listed in the following check list.

## Walk-Around Inspection Components

**NOTE:** On all components, make sure there are no loose or missing parts and that everything is securely fastened. Make sure that there is no visible damage or excessive wear.

1. **Locking Pins** - Check for any debris stuck to or around the locking pins. Make sure the locking pins are working properly and engage freely. (See Figure 2-2)
2. **Spreader** - Check for bent parts or missing hardware. Make sure spreader folds out flat and functions properly. (See Figure 2-2)
3. **Rubber Feet** - Check for cracks or tears. (See Figure 2-2)
4. **Hinge Mount** - Check all four hinge mount brackets to ensure they are straight. (See Figure 2-2)

Figure 2-2 - Inspection Points



## 2.4 Function Check

Once the Walk-Around Inspection check is complete, perform a function check of all systems in an area free of overhead and ground level obstructions.



### WARNING

**IF THE ALL-TERRAIN SCAFFOLD DOES NOT OPERATE PROPERLY, STOP USING THE ALL-TERRAIN SCAFFOLD IMMEDIATELY! REPORT THE PROBLEM TO THE PROPER MAINTENANCE PERSONNEL AND DO NOT OPERATE THE ALL-TERRAIN SCAFFOLD UNTIL IT HAS BEEN DEEMED SAFE FOR OPERATION.**

### Function Check Items

1. **Locking Pins** - Check for any debris stuck to or around the locking pins. Make sure the locking pins are working properly and engage freely. (See Figure 2-3)
2. **Spreader** - Check for bent parts or missing hardware. Make sure spreader folds out flat and functions properly. (See Figure 2-3)
3. **Rubber Feet** - Check for cracks or tears. (See Figure 2-3)
4. **TwistLok™** - Check for proper function and that locking pins can fully engage the frame clearance holes. (See Figure 2-3)

Figure 2-3 - Function Check Items



# SECTION 3

## ALL-TERRAIN SCAFFOLD OPERATION

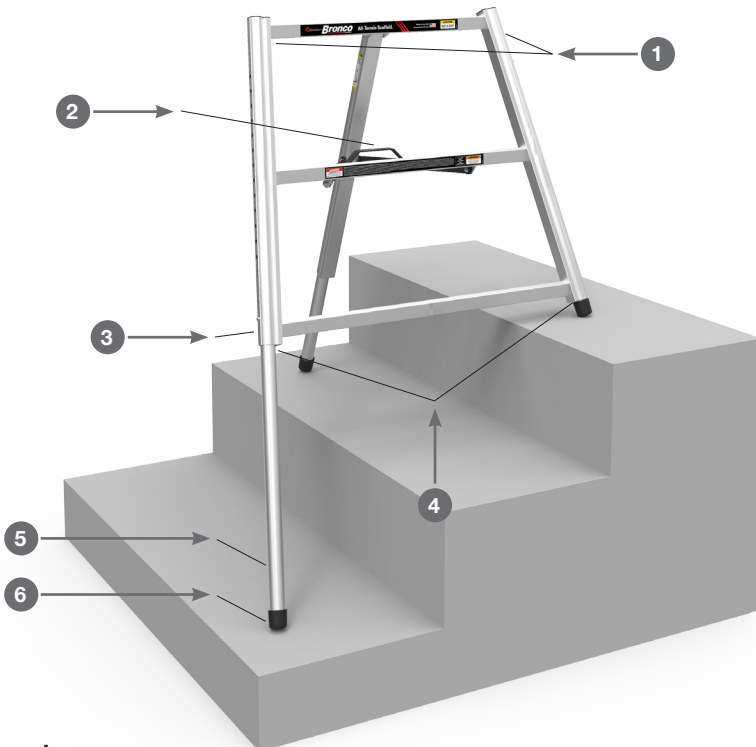
### 3.1 General

**NOTE:** The manufacturer has no direct control over the all-terrain scaffold application and operation. The operator is responsible for following sound safety practices.

### 3.2 All-Terrain Scaffold Description

The ReechCraft Bronco is an all-terrain scaffold. The removable platform is mounted to a set of Broncos. The all-terrain scaffold is stabilized by way of adjustable legs and locking pins. The Bronco's intended purpose is to provide personnel and their tools access to work areas above the ground.

**Figure 3-1** All-Terrain Scaffold with Extended Legs



#### Legend

- |                                  |                                  |
|----------------------------------|----------------------------------|
| 1. Tapered Tripod Design         | 4. Non-Skid Rubber Feet          |
| 2. Heavy-Duty Spreader           | 5. Telescoping Tripod Frame      |
| 3. Adjustable Legs with TwistLok | 6. Slip-Resistant and Heavy Duty |



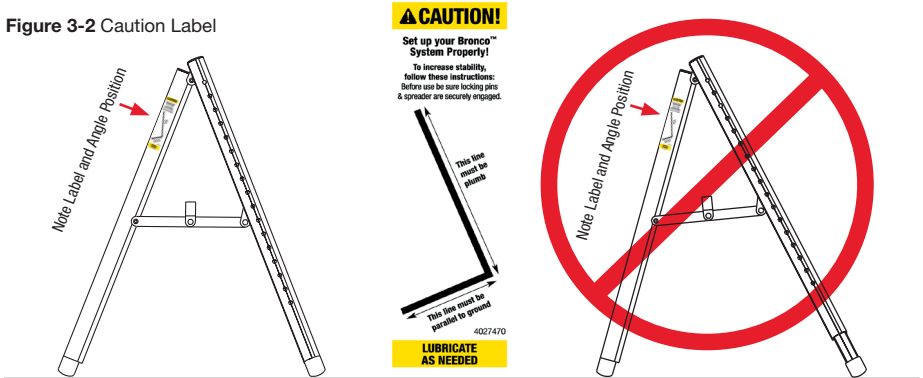


### 3.4 Weight Distribution

Note the decal on the back leg and ensure that the horizontal line is parallel to the ground and the vertical line is plumb (See Figure 3-2).

**NOTE:** This label is located on the side of the middle leg of the Bronco and must be followed to ensure proper set-up!

Figure 3-2 Caution Label

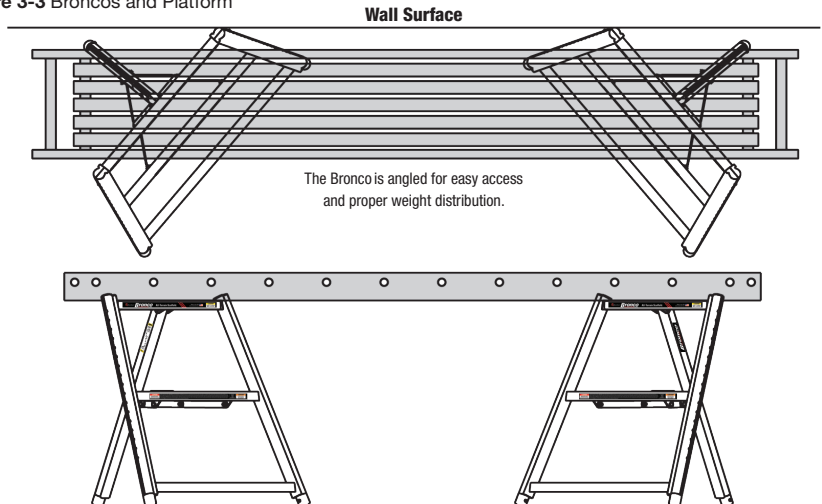


### 3.5 Platform Configuration

Ensure that the Bronco is angled like the diagrams below for easy plank access and proper weight distribution. (See Figure 3-3).

**NOTE:** Do not overload Bronco. Duty rating is 300 lbs per Bronco.

Figure 3-3 Broncos and Platform



# SECTION 4

## EMERGENCY PROCEDURES

### 4.1 Incident Notification

ReechCraft, Inc must be notified immediately of any incident involving a ReechCraft product. Even if no injury or property damage is evident, the factory should be contacted by telephone and provided with the necessary details.

Contact:

#### **Technical Safety & Engineering Department**

845 34th St N

Fargo, ND 58102

Toll Free: 888-600-6160

E-mail: [customer.service@reechcraft.com](mailto:customer.service@reechcraft.com)

Failure to notify the manufacturer of an incident involving a ReechCraft Bronco product within 48 hours of such an occurrence may void any warranty consideration on that particular all-terrain scaffold.



### **NOTICE**

**FOLLOWING ANY ACCIDENT, THOROUGHLY INSPECT THE ALL-TERRAIN SCAFFOLD AND TEST ALL FUNCTIONS. DO NOT MOUNT THE PLATFORM UNTIL YOU ARE SURE THAT ALL DAMAGE HAS BEEN REPAIRED IF REQUIRED, AND THE ALL-TERRAIN SCAFFOLD IS OPERATING CORRECTLY.**

# SECTION 5

## GENERAL SPECIFICATIONS

### 5.1 Introduction

This section of the manual provides operating specifications and information necessary for the proper maintenance of this all-terrain scaffold.

### 5.2 Decal Contents & Location

ALL-TERRAIN SCAFFOLD		
No.	Type	ReechCraft Part Number
A1	Brand & Caution Not A Step	4027468
A2	Proper Bronco Set-Up	4027470
A3	Brand	4027469
A4	Warning	4027467
A5	User Manual	4023034



## 5.3 All-Terrain Scaffold Specifications

**Table 5-2** All-Terrain Scaffold Specifications

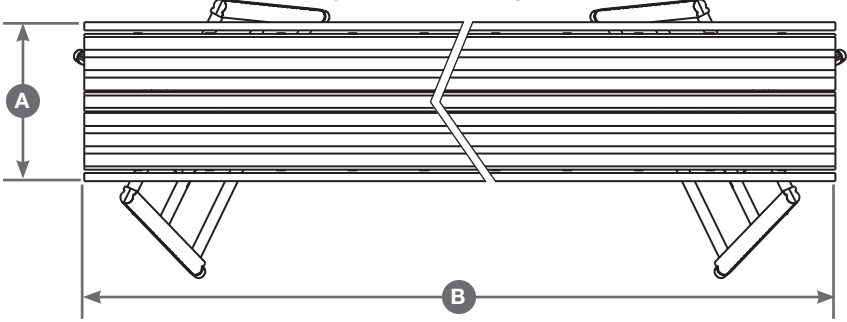
	<b>SPECIFICATION</b>	<b>BRONCO</b>
	Unit Size (L x W x H) <b>Note:</b> <i>width is at the widest point.</i>	37.7 in. x 28.5 in. x 33.7 in. (958 mm x 724 mm x 856 mm)
	Fully Extended Unit Size (L x W x H) <b>Note:</b> <i>width is at the widest point.</i>	44 in. x 28.5 in. x 55.3 in. (1118 mm x 724 mm x 1405 mm)
	Platform Capacity	600 lbs (272 kg)
	All-Terrain Scaffold Weight	16 lbs (7.26 kg)
	Max Working Height*	11 ft (3.3 m)
A	Maximum Platform Width	24 in. (610 mm)
B	Maximum Suggested Platform Length***	32 ft (9.75 m)
C	Minimum Platform Height**	36 in. (914 mm)
D	Maximum Platform Height**	59 in. (1499 mm)

\*Based on 4 in. platform height plus 6 ft.

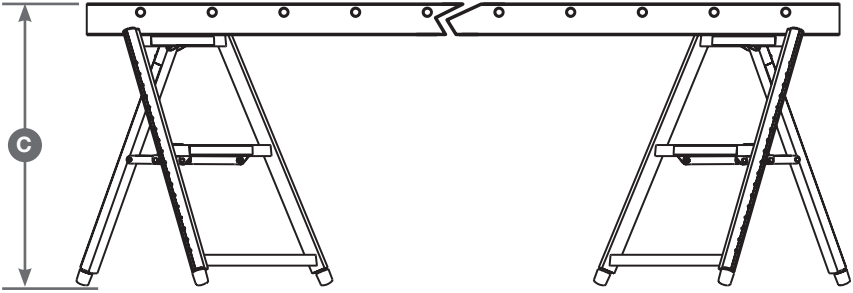
\*\*Based on a 4 in. platform height.

\*\*\*Engineered Aluminum 32 ft platforms can weigh approximately 250 lbs. At 600 lbs per pair total Bronco payload capacity, that leaves 350 lbs for user, tools and materials.

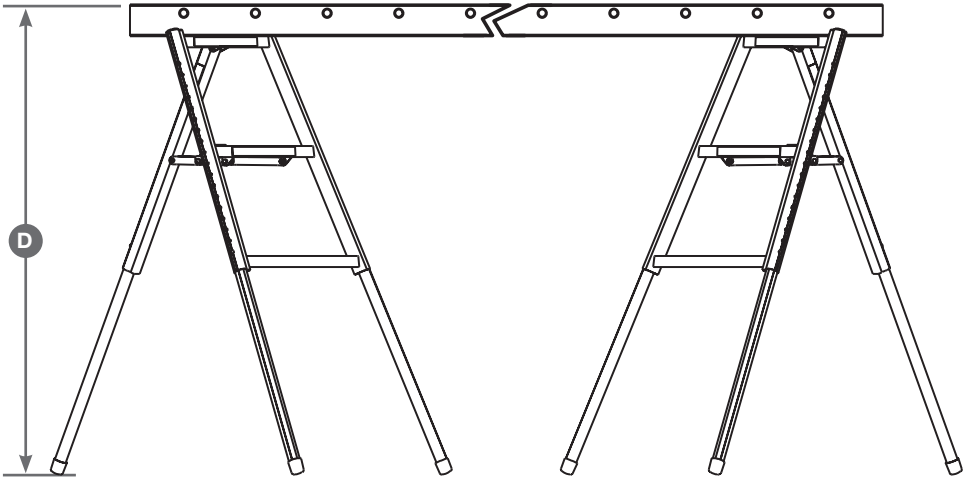
Fully Retracted Bronco - Top Down View



Fully Retracted Bronco



Fully Extended Bronco



# SECTION 6

## SERVICE & MAINTENANCE

### 6.1 Maintenance Safety Precautions

#### General

This section contains general safety precautions which must be observed during maintenance of the all-terrain scaffold. It is important that maintenance personnel heed these warnings to avoid possible injury to themselves or others.

Due to our commitment to continuous improvement, ReechCraft reserves the right to make specification changes without prior notification. Contact ReechCraft for updated information.



**MODIFICATION OF THE ALL-TERRAIN SCAFFOLD WITHOUT THE MANUFACTURERS APPROVAL IS A PROHIBITED PRACTICE AND A DIRECT SAFETY VIOLATION.**

Your safety and the safety of others is the primary concern when performing service and maintenance on the all-terrain scaffold. Always be conscious of moving parts and pinch points. Never leave an object in an unstable or unsupported position.



**SINCE THE MANUFACTURER HAS NO DIRECT CONTROL OVER THE FIELD SERVICE AND MAINTENANCE OF THE ALL-TERRAIN SCAFFOLD, SAFETY IS THE RESPONSIBILITY OF THE OWNER/OPERATOR.**

## Maintenance Safety



**FAILURE TO COMPLY WITH THE SAFETY PRECAUTIONS LISTED IN THIS SECTION COULD RESULT IN ALL-TERRAIN SCAFFOLD DAMAGE, PERSONNEL INJURY OR DEATH, AND IS A SAFETY VIOLATION**

- REMOVE ALL RINGS, WATCHES, AND JEWELRY WHEN PERFORMING ANY MAINTENANCE.
- OBSERVE, UNDERSTAND AND OBEY ALL DANGER, WARNING, CAUTION AND OTHER INSTRUCTIONS ON THE ALL-TERRAIN SCAFFOLD AND IN OPERATORS MANUAL.
- KEEP STANDING SURFACES AND HAND HOLDS FREE OF GREASE, WATER, OIL, ETC.
- USE ONLY APPROVED, NONFLAMMABLE CLEANING SOLVENTS.

## 6.2 Preparation, Inspection & Maintenance

### General

This section provides the necessary information needed by those personnel that are responsible to place the all-terrain scaffold in operational readiness and maintain its safe operating condition. To ensure maximum service life and safe operation, be sure that all inspections and maintenance have been completed before placing the all-terrain scaffold into service.

### Preparation, Inspection & Maintenance

Table 2-1 outlines the periodic all-terrain scaffold inspection and maintenance recommended by ReechCraft. Consult your local, regional or national regulations for further requirements.

**NOTE:** *The frequency of inspections must increase as environment and frequency of use requires.*

### Pre-Start Inspection

It is the operators responsibility to perform a Pre-Start Inspection of the all-terrain scaffold prior to use. Reference Section 2 in this manual for Pre-Start Inspection procedures.

This manual must be read and understood in its entirety prior to performing a Pre-Start Inspection.

### Frequent and Pre-Delivery Inspection

The Frequent Inspection and Pre-Delivery Inspection shall be performed by a competent person or a qualified mechanic.

The Frequent Inspection and Pre-Delivery Inspection procedures are performed in the same way but at different times. The Pre-Delivery Inspection shall be performed prior to each sale, lease, or rental delivery. The Frequent Inspection shall be performed on each all-terrain scaffold in service for 3 months; out of service for more than 3 months; or when purchased used. The frequency of this inspection must increase as environment and frequency of use requires.

Reference this manual for service and maintenance procedures.



## Annual All-Terrain Scaffold Inspection

The Annual All-Terrain Scaffold Inspection must be performed by a competent person or a qualified mechanic on an annual basis, no later than 13 months from the date of the prior Annual All-Terrain Scaffold Inspection.

Reference the Service and Maintenance Sections of this manual and appropriate inspection form to complete this inspection.

## 6.3 Preventive Maintenance & Inspection Schedule

The preventive maintenance and inspection checks are listed and defined in the following table. The table is divided into two parts: "AREA" and "INTERVAL". The component or function to be inspected are listed in the AREA column and the interval at which time they are to be inspected are listed in the INTERVAL column.

**NOTE:** *The checks and services listed in this schedule are not intended to take the place of any local or regional regulations that may pertain to this type of equipment nor should the list be considered as all inclusive. Variances in interval times may occur due to the environment the all-terrain scaffold is subjected to.*

### Inspection & Maintenance Codes:

1. Check for proper and secure installation
2. No gouges, excessive wear, or dents showing
3. Visually inspect for excessive wear, damage, cracks or distortion
4. Check for cracked or broken welds
5. Check area is clean and free of debris
6. Check for proper adjustment
7. Check for proper operation
8. Check for proper tolerances
9. Check for proper specifications
10. Verify
11. Perform
12. Replace
13. Inspect per Operator's Safety Manual

Table 6-1 Preventive Maintenance &amp; Inspection Schedule

Area	Interval			
	Pre-start Inspection	Pre-Delivery or Frequent Inspection	Annual (yearly) Inspection	5 Year Inspection
	Prior to use each day	Prior to each sale, lease or delivery; in service for 3 months or more; purchased used	Perform no later than 13 months from the date of prior inspection	When track is worn or no more than 5 years from first use
Locking Pins	1,3,5	1,2,3,5,	1,2,3,5	
Spreader	5,7	5,7	5,6,7	
Rubber Feet	1,3	1,3	1,3	15
TwistLok™	5,7	3,5,7	1,3,5,7	
Hinge Mount	3	3	3,4	

## 6.4 Servicing & Maintenance Guidelines

### General

The following information is provided to assist you in the use and application of service and maintenance procedures contained in this chapter.

**NOTE:** Please refer to Service and Parts Manual for additional information.



**WHEN AN ABNORMAL CONDITION IS NOTED AND PROCEDURES CONTAINED WITHIN THIS MANUAL DO NOT SPECIFICALLY RELATE TO THE NOTED IRREGULARITY, USE OF THE ALL-TERRAIN SCAFFOLD SHOULD BE STOPPED AND A QUALIFIED MECHANIC WITH PROPER KNOWLEDGE SHOULD CORRECT THE IRREGULARITY BEFORE WORK IS RESUMED.**

## Safety & Workmanship

Your safety, and that of others, is the first consideration when engaging in the maintenance of equipment. Always be conscious of moving components and pinch points. Do not allow heavy objects to rest in an unstable position.

## Cleanliness

The single most important item in preserving the long service life of an all-terrain scaffold is to keep foreign materials out of the vital components. Reasonable precautions have been taken to safeguard against this. However, these areas must be maintained on a scheduled basis in order to preserve proper function of the all-terrain scaffold.

## 6.5 Decal Replacement

All decals must be mounted to the all-terrain scaffold as specified and clearly legible.

*Please see Figure 5-1 to Figure 5-4 and refer to table 5-1 for positions and ReechCraft part numbers.*

To replace a damaged decal, first remove it completely without damaging the underlying surface.

Remove any remaining adhesive with a suitable solvent. Test the solvent on an inconspicuous area first to ensure it does not mark or damage the surface finish.

### NOTICE

#### **SURFACE DAMAGE COULD RESULT IN CORROSION AND STRUCTURAL DAMAGE.**

Before applying the new decal, ensure the surface is clean and dry.

Remove the backing paper, apply the decal along one edge then seal it gently and evenly.

If there are any air bubbles, work them gently towards the edge with a clean cloth.

Pressure sensitive adhesives reach full strength after several days.





# SECTION 7

## 90-DAY WARRANTY

### 7.1 North American End-User Limited Warranties

Thank you for purchasing a ReechCraft product. Please read the following warranty for details about Reechcraft's Limited Manufacturer's Warranty (the "End-User Warranty").

By using the Products (as defined below) you agree to the following provisions, which contain limitations on warranties and liabilities and on your remedies.

All new ReechCraft equipment with serial numbers and date-coded gearboxes (the "Product") must be registered at [www.reechcraft.com/warrantyregistration](http://www.reechcraft.com/warrantyregistration) to activate the Product's End-User Warranty.

ReechCraft, Inc.'s ("ReechCraft") End-User Warranty applies to new Product only that is manufactured after September 1, 2018. The End-User Warranty is solely for the benefit of the original end-user who purchases the Product from an authorized reseller of ReechCraft Product (the "End-User") and is a "manufacturer's" warranty provided directly by ReechCraft to the End User, effective on the End User's original date of purchase. For purposes of this End-User Warranty, an authorized reseller of ReechCraft Product shall be referred to herein as "Reseller." In the event a Reseller leases Product to a customer of the Reseller with or without consideration, the End-User Warranty shall apply to the Reseller only and NOT to a lessee of the Product.

ReechCraft warrants all Product for a period of 12 months and all other components and accessories for a period of 90 days from the End-User's original date of purchase (the "Warranty Period"). The End-User Warranty is non-transferable by the End-User and only applies to Product manufactured after September 1, 2018.

During the Warranty Period, ReechCraft warrants Products to be free from defects in materials and workmanship. Reechcraft's obligation and liability on any Products that ReechCraft has determined to have been defective in materials or workmanship shall be limited to the repair or replacement of the Product, at the sole option of ReechCraft. Such replacement parts shall be provided at no cost to the End-User. Replacement parts and components provided under this End-User Warranty will continue to be covered until the end of the Warranty Period. Replacement parts and components purchased by the End-User from ReechCraft or a Reseller beyond the expiration of the Warranty Period will carry its own 90-day End-User Warranty.

All Products purchased by the End-User must be registered at [www.reechcraft.com/warrantyregistration](http://www.reechcraft.com/warrantyregistration) within 60 days of End-User's purchase for the End-User Warranty to be activated. In the event an End-User fails to register the Product within the 60-day period, this End-User Warranty will not apply. ReechCraft reserves the right to request maintenance records of defective parts prior to settling any warranty claim, as well as to deny such claim if maintenance records are not available or not compliant with the Product's maintenance schedules. All warranty claims must be submitted in writing as outlined in the claims procedure section, which can be obtained at [www.reechcraft.com/warrantyclaim](http://www.reechcraft.com/warrantyclaim) or by calling 1-888-600-6160.

#### **What the End-User Warranty Does NOT cover:**

This End-User Warranty does not cover any Product (a) for which you are not the original purchaser; (b) that is repaired after the Warranty Period has expired; (c) manufactured before September 1, 2018; (d) normal wear and tear; (e) that has been installed other than per the Product's instruction guidelines; (f) that has been improperly maintained or maintained, altered, modified, or repaired, other than by ReechCraft or by a ReechCraft authorized service center; (g) on which the serial number has been altered, removed or rendered illegible; (h) that has been physically damaged, other than by ReechCraft or a ReechCraft Reseller; (i) accidents, failure to follow instructions, use outside the scope of any other provided documentation (e.g., warning or instruction labels, owner's manual, installation instructions, etc.), misuse, abuse, neglect, fire, flood or acts of God; or (j) any warranties provided by the Reseller of the Product.

Misuse may include, but is not limited to, damage to Product by vehicles, tools, people, animals, the use of products beyond rated capacity, and using a Product in any matter contrary to the warning or instruction labels on the Product and the Product's owner's manual. Manuals can be obtained by contacting ReechCraft at 1-888-600-6160 or at [www.reechcraft.com](http://www.reechcraft.com).

This End-User Warranty does not cover any labor, including repair labor, travel time or mileage for pickup and delivery, shipping or freight costs, or lost income for down time. Additionally, this End-User Warranty does not cover any duties, taxes, or environmental fees, including but not limited to, the disposal or handling of materials.

Parts purchased or sourced by suppliers other than ReechCraft or a ReechCraft Reseller are not covered under this End-User Warranty. Under no circumstances will ReechCraft be responsible for any expense in connection with any repairs using unauthorized parts or in connection with any repairs made by anyone other than a Reseller the Product or other ReechCraft authorized service station, unless such repairs have been specified in writing from ReechCraft.

**THIS END-USER LIMITED WARRANTY IS IN LIEU OF ALL OTHER EXPRESS OR IMPLIED WARRANTIES. THIS END-USER WARRANTY IS THE SOLE AND EXCLUSIVE REMEDY OF THE END-USER, WHICH IS THE REPAIR OR REPLACEMENT OF PARTS TO THE AFFECTED PRODUCT. TO THE EXTENT PERMITTED BY APPLICABLE LAW, REECHCRAFT EXPRESSLY DISCLAIMS ALL WARRANTIES, REPRESENTATIONS OR CONDITIONS OF ANY KIND, EXCEPT AS EXPRESSLY STATED HEREIN. REECHCRAFT DISCLAIMS ALL WARRANTIES OR GUARANTEES, ORAL OR WRITTEN, EXPRESS OR IMPLIED (FROM ANY COURSE OF DEALING OR USAGE OF TRADE), INCLUDING BUT NOT LIMITED TO ANY WARRANTY OF NON-INFRINGEMENT, WARRANTY OF MERCHANTABILITY OR FITNESS FOR A PARTICULAR PURPOSE.**

**THIS END-USER LIMITED WARRANTY MAY NOT BE MODIFIED, EXTENDED OR ENLARGED BY ANY REPRESENTATIVE OF REECHCRAFT OR INTERMEDIATE SALES ASSOCIATE, RESELLER OF REECHCRAFT PRODUCT OR AGENT.**

**IN NO EVENT SHALL REECHCRAFT, ITS DIRECTORS, OFFICERS, EMPLOYEES, OR AGENTS BE LIABLE FOR ANY SPECIAL, INCIDENTAL, CONSEQUENTIAL, PUNITIVE OR EXEMPLARY DAMAGES, INCLUDING BUT NOT LIMITED TO LOST PROFITS OR REVENUE, THE COST OF RENTAL OR REPLACEMENT EQUIPMENT, DOWNTIME, DAMAGE TO PROPERTY AND THIRD-PARTY CLAIMS, OR ANY OTHER COMMERCIAL OR ECONOMIC LOSSES OF ANY KIND, WHETHER BASED ON CONTRACT, TORT (INCLUDING THEORIES OF NEGLIGENCE, RECKLESSNESS, STRICT LIABILITY, OR DEFECTIVE PRODUCT LIABILITY) OR ANY LEGAL THEORY, EVEN IF ADVISED OF THE POSSIBILITY OF SUCH DAMAGES OR THEY ARE FORESEEABLE, ARISING OUT OF THE END-USER'S USE OR INABILITY TO USE THE PRODUCT.**

**ANY REPAIR OF THE PRODUCT UNDERTAKEN WITHOUT PRIOR WRITTEN AUTHORIZATION FROM REECHCRAFT WILL VOID THIS WARRANTY.**

These warranties give the End-User specific legal rights. As the End-User, you may also have other rights which may vary from state to state. Some states do not allow the exclusion or limitation of incidental or consequential damages, so the above limitations or exclusions may not apply to every End-User.

All claims or disputes arising under or in connection with this End-User Warranty shall be governed under the laws of the State of North Dakota and the laws of the United States (without giving effect to principles of conflicts of laws). The location of any dispute shall be Fargo, North Dakota. Any provision of this End-User Warranty which is, or is deemed to be, unenforceable in any jurisdiction shall be severable from this End-User Warranty in that jurisdiction, without in any way invalidating the remaining provisions of this End-User Warranty, and any such unenforceability in that jurisdiction shall not make that provision unenforceable in any other jurisdiction.

REECHCRAFT™  
***Bronco***™

**ReechCraft Inc.**  
845 34th St N  
Fargo, ND 58102  
**888-600-6160**

[www.reechcraft.com/bronco](http://www.reechcraft.com/bronco)