



PRODUCT GUIDE

TABLE OF CONTENTS

BRONCO™

Bronco	3
Bronco Replacement Feet + End Caps	3

POWERLIFT™

PowerLift PL20	4
PowerLift PL65	5
PowerLift PL65 Fixed Base	7
PowerLift PL65 Platform Transport Wheel Kit	7
PowerLift PL65 Outrigger Base	7
PowerLift PL65 Straddle Base	7
PowerLift PL65 Straddle Base Leg Extensions.....	7
PowerLift Tilt-back Handle + Wheel Kit	8
PowerLift Hitch Hauler	8
PowerLift Narrow Platform	8
PowerLift Crane Hook Kit	8

POWERMAST™

PowerMast Climbing Unit	9
PowerMast Platform Support	9
PowerMast Side Mount T-bracket	9
PowerMast Single Mount Platform Assembly	9
PowerMast 5 ft Mast	10
PowerMast 32 in. Mast.....	10
PowerMast Adjustable Tie	10
PowerMast Tie Extension	10
PowerMast Freestanding Tri-mast Tie	11
PowerMast 10 in. x 10 in. Base Foot	11
PowerMast Freestanding Base	11
PowerMast Single Person Platform	11

POWERPOLE®

PowerPole Climbing Unit	12
PowerPole PowerLatch Assembly	12
PowerPole Platform Support	12
PowerPole Platform Support with PowerLatch Connector	12
PowerPole Single Person Platform.....	13
PowerPole SpeedRail Midrail Post.....	13
PowerPole SpeedRail Endrail.....	13
PowerPole Standoff Tie.....	13
PowerPole Super Standoff Tie	14
PowerPole V-brace	14
PowerPole Extendable V-brace	14
PowerPole 12 ft Pole Section.....	14
PowerPole 6 ft Pole Section.....	15
PowerPole 4 ft Pole Coupler.....	15
PowerPole 10 in. x 10 in. Base Foot	15
PowerPole Outrigger Base	15

BRONCO - 4026200

DESCRIPTION:

The ReechCraft Bronco has an extra wide frame (up to 42-inch base spread) and tapered tripod design that provides stability and easy plank access. The aircraft-grade aluminum Bronco weighs 16 pounds and folds for easy storage or transport. Whether it's siding, roofing, painting, windows, or masonry work, the Bronco keeps stable on any terrain. The stable tripod base adjusts for roof pitches up to 8/12 with a maximum reach of 12 feet. Retract the legs to make a large, rigid workbench on any terrain. The Bronco is individually packaged.

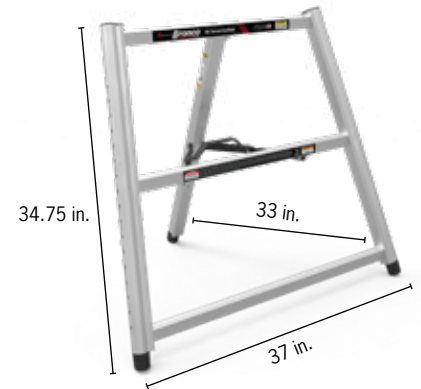
FEATURES:

- 300 lb load rating or 600 lbs per pair
- 3-5 ft platform height
- 24 in. maximum plank width

PRODUCT DIMENSIONS: 33 in. x 37 in. x 34.75 in.

SHIPPING DIMENSIONS: 34.5 in. x 37.5 in. x 4 in.

SHIPPING WEIGHT: 18 lbs



BRONCO REPLACEMENT FEET + END CAPS - 4027324

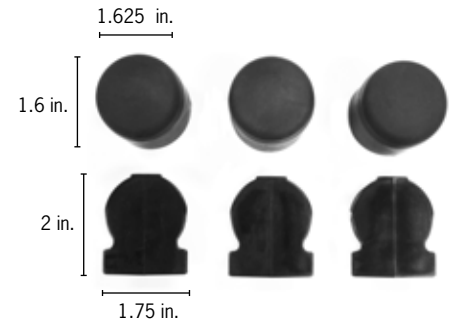
DESCRIPTION:

Kit of replacement feet and end caps for the Bronco all-terrain scaffold. Kit contains three feet caps (black, hard rubber with metal washer interior lining) and three end caps (black, hard plastic, self-sealing design).

PRODUCT DIMENSIONS: Feet Cap: 1.6 in. x 1.625 in. x 1.625 in. ■ End Cap: 2 in. x 1.75 in. x .625 in.

SHIPPING DIMENSIONS: 5 in. x 5.5 in. x 3 in.

SHIPPING WEIGHT: 1 lb



POWERLIFT PL20 - 4027700

DESCRIPTION:

The PowerLift PL20 is the lightest mid-range lift on the market. At 278 pounds empty weight, one person can easily move the PowerLift PL20 around on its casters. Other mid-level lifts weigh more than 650 pounds and are too heavy to carry up slopes or stairs. The PowerLift PL20's only electrical component is the drill for power (corded or cordless). There are no expensive controls, sensors, or switches to repair when they malfunction. The PowerLift PL20 is very simple to operate. The PowerLift PL20 gearbox includes an integrated overspeed brake for added safety. For indoor use only.

PRODUCT DIMENSIONS: 64.5 in. x 63.5 in. x 16.25 ft

SHIPPING DIMENSIONS: 56 in. x 36 in. x 60 in.

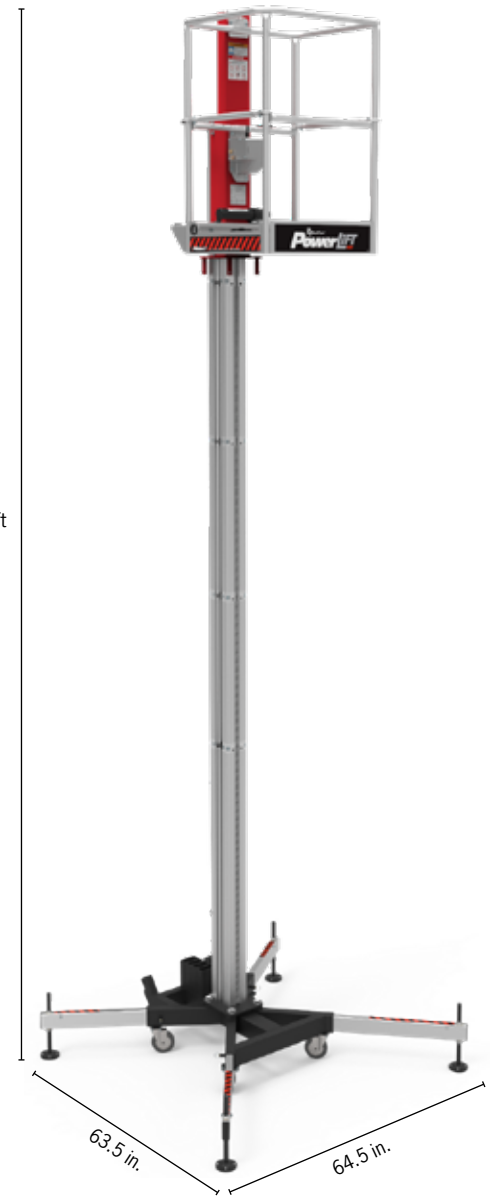
SHIPPING WEIGHT: 320 lbs

Note: This product can be used with the tilt-back handle and wheel kit (4027519).

POWERLIFT PL20 SPECIFICATIONS

Conforming Standards	ANSI A92.20
Platform Capacity	350 lbs (159 kg)
Power Source	AC or DC Drill
Rated Horizontal Force	52.5 lbs (23.46 kg) (234 N)
Machine Weight	278 lbs (126 kg)
Swivel/Lockable Caster Diameter	5 in. (127 mm)
Platform Size (L x W)	26 in. x 30 in. (660 mm x 762 mm)
Mast Section Weight	20.7 lbs (9.4 kg)
Rear Outrigger Weight	7.8 lbs (3.6 kg)
Front Outrigger Weight	10.3 lbs (4.7 kg)
Flat-free Transport Wheels (Tilted-back Option)	12 in. x 3.5 in. (305 mm x 89 mm)
Drive	Worm Drive with Integrated Drive Gear + Brake
Stowed Length	53 in. (1346 mm)
Stowed Width	30 in. (762 mm)
Stowed Height	69 in. (1741 mm)
Minimum Platform Height	12.9 in. (329 mm)
Outrigger Base Footprint Width	63.5 in. (1613 mm)
Outrigger Base Footprint Length	64.5 in. (1638 mm)
Distance from Wall Side	18.5 in. (470 mm)
Distance from Wall Front	10.3 in. (262 mm)
Erected Mast Height	16.25 ft (5.0 m)
Maximum Platform Height	14.3 ft (4.34 m)
Maximum Working Height*	20.3 ft (6.19 m)

16.25 ft



*Based on platform height plus 6 ft (2 m). Specifications subject to change without notice.

POWERLIFT PL65 - 4027510

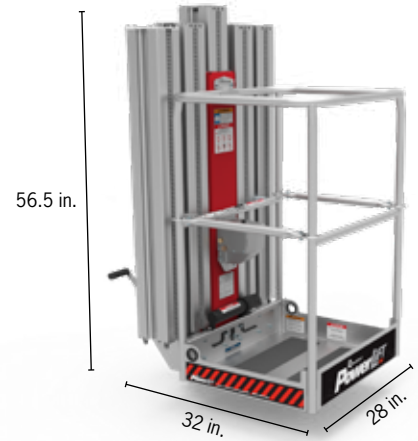
DESCRIPTION:

The PowerLift PL65 is the lightest, most versatile lift on the market. With three base options, this 3-in-1 lift makes reaching difficult places easy. The PowerLift PL65 is available with a fixed base for an incredibly small footprint, our standard outrigger base for quick and easy setup, and a straddle base so you can work over obstacles like pews or theater seats. Like all of our PowerLifts, the PowerLift PL65 can easily be moved around on its casters by just one person. All of the components can be carried up slopes or stairs so you can easily work in auditoriums, theaters, churches, and more. The PowerLift PL65's only electrical component is the drill for power (corded or cordless). There are no expensive controls, sensors, or switches to repair when they malfunction. The PowerLift PL65 is very simple to operate. The PowerLift PL65 gearbox includes an integrated overspeed brake for added safety. For indoor use only.

PRODUCT DIMENSIONS: 32 in. x 28 in. x 56.5 in.

SHIPPING DIMENSIONS: Depends upon base configuration

SHIPPING WEIGHT: Depends upon base configuration



PL65 + FIXED BASE

- 4027510 + 4026833
(Shown with 4027517)



PL65 + OUTRIGGER BASE

- 4027510 + 4027500
(Shown with 4027517 + 4027519)



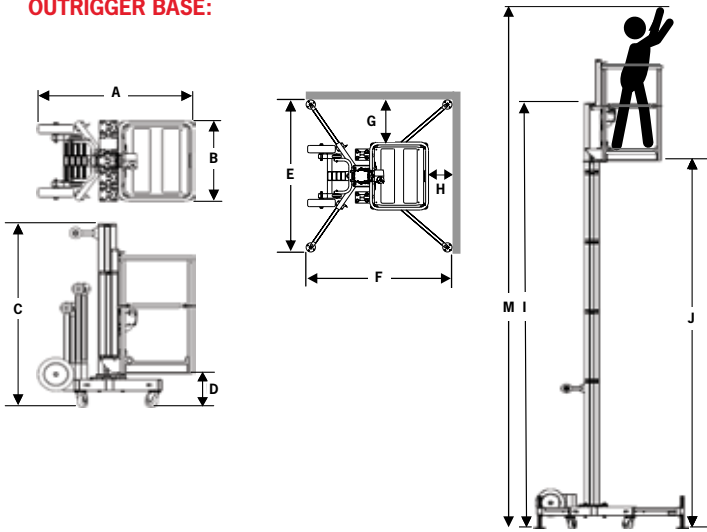
PL65 + STRADDLE BASE

- 4027510 + 4027365
(Shown with 4027517)

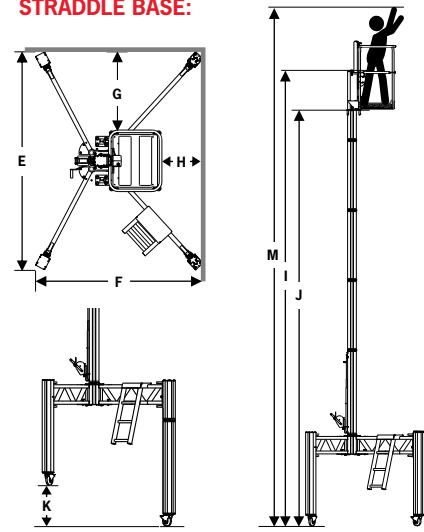


POWERLIFT PL65 OUTRIGGER + STRADDLE BASE SPECIFICATIONS

OUTRIGGER BASE:



STRADDLE BASE:



DESCRIPTION	FIXED BASE - 4026833	OUTRIGGER BASE - 4027500	STRADDLE BASE - 4027365
Conforming Standard	ANSI A92.20	ANSI A92.20	ANSI A92.20
Platform Capacity	350 lbs (159 kg)	350 lbs (159 kg)	350 lbs (159 kg)
Power Source	AC or DC Drill	AC or DC Drill	AC or DC Drill
Rated Horizontal Force	52.5 lbs (23.46 kg) (234 N)	52.5 lbs (23.46 kg) (234 N)	52.5 lbs (23.46 kg) (234 N)
Machine Weight	220 lbs (100 kg)	570 lbs (259 kg)	520 lbs (236 kg)
Swivel/Lockable Caster Diameter	5 in. (127 mm) (Optional)	5 in. (127 mm)	6 in. (152 mm)
Platform Size (L x W)	26 in. x 30 in. (660 mm x 762 mm)	26 in. x 30 in. (660 mm x 762 mm)	26 in. x 30 in. (660 mm x 762 mm)
4 ft Mast Section Weight	28.5 lbs (12.9 kg)	28.5 lbs (12.9 kg)	28.5 lbs (12.9 kg)
Rear Outrigger Weight	9.3 lbs (4.2 kg)	9.3 lbs (4.2 kg)	9.3 lbs (4.2 kg)
Front Outrigger Weight	10.6 lbs (4.8 kg)	10.6 lbs (4.8 kg)	10.6 lbs (4.8 kg)
Flat-free Transport Wheels	12 in. x 3.5 in. (305 mm x 89 mm)	12 in. x 3.5 in. (305 mm x 89 mm)	12 in. x 3.5 in. (305 mm x 89 mm)
Drive	Worm Drive with Integrated Drive Gear + Brake	Worm Drive with Integrated Drive Gear + Brake	Worm Drive with Integrated Drive Gear + Brake
A Stowed Length	36 in. (914 mm)	53.4 in. (1356 mm)	36.0 in. (914 mm)
B Stowed Width	30 in. (762 mm)	30 in. (762 mm)	30 in. (762 mm)
C Stowed Height	60 in. (1524 mm)	73.5 in. (1867 mm)	N/A
D Minimum Platform Height	6 in. (152 mm)	12.9 in. (329 mm)	N/A
E Outrigger Footprint Width	N/A	67.1 in. (1705 mm)	86-106 in. (2032-2692 mm)
F Outrigger Footprint Length	N/A	64.4 in. (1635 mm)	81.5-104 in. (2070-2642 mm)
G Distance from Wall Side	0 in. (0 mm)	18.5 in. (471 mm)	28-38 in. (711-965 mm)
H Distance from Wall Front	0 in. (0 mm)	10.3 in. (261 mm)	20-29 in. (508-737 mm)
I Erected Mast Height	20.7 ft (6.31 m)	21.7 ft (6.6 m)	26.2 ft (8 m)
J Maximum Platform Height	18.5 ft (5.64 m)**	20 ft (6.1 m)	24 ft (7.32 m)
K Maximum Leg Offset	N/A	N/A	25-63 in. (635-1600 mm)
M Maximum Working Height	25 ft (7.64 m)**	26 ft (7.9 m)*	30 ft (9.14 m)

*Based on platform height plus 6 ft (2 m). **Call ReechCraft for additional height options.

POWERLIFT PL65 FIXED BASE - 4026833

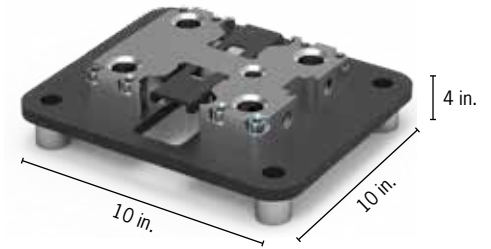
DESCRIPTION:

The fixed base option can be temporarily or permanently attached to a concrete floor or other structure to provide a base to attach the PowerLift PL65 (4027510).

PRODUCT DIMENSIONS: 10 in. x 10 in. x 4 in.

SHIPPING DIMENSIONS: 11 in. x 11 in. x 4 in.

SHIPPING WEIGHT: 10 lbs



POWERLIFT PL65 PLATFORM TRANSPORT WHEEL KIT - 4027517

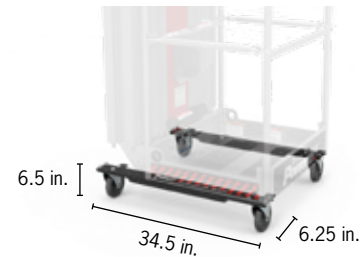
DESCRIPTION:

The platform transport wheel kit option attaches to the PowerLift PL65 platform which allows the baseless PowerLift PL65 (4027510) to be neatly stowed and easily transferred to the work location.

PRODUCT DIMENSIONS: 34.5 in. x 6.25 in. x 6.5 in.

SHIPPING DIMENSIONS: 36 in. x 8.5 in. x 8.5 in.

SHIPPING WEIGHT: 18 lbs



POWERLIFT PL65 OUTRIGGER BASE - 4027500

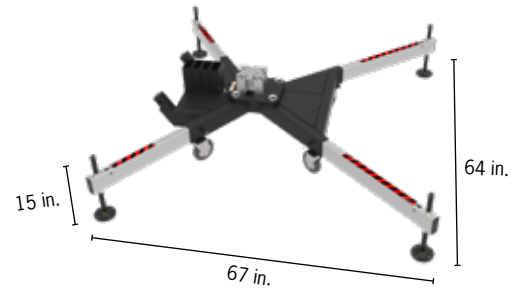
DESCRIPTION:

The outrigger base option allows you to use the PowerLift PL65 even on uneven surfaces. The caster wheels are non-marking and are great for use within residential and commercial settings, and in gyms, churches, and schools.

PRODUCT DIMENSIONS: 67 in. x 64 in. x 15 in.

SHIPPING DIMENSIONS: 54 in. x 36 in. x 16 in.

SHIPPING WEIGHT: 300 lbs



POWERLIFT PL65 STRADDLE BASE - 4027365

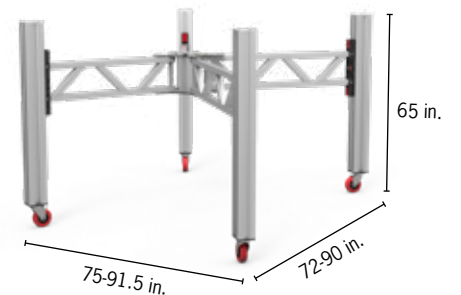
DESCRIPTION:

The straddle base option allows you access over obstacles like pews or desks with the PowerLift PL65. Additionally, the legs are independently adjustable for use on stairs or slanted floors, like in an auditorium or theater setting. With the straddle base option, the PowerLift PL65 has a maximum working height of 30 feet.

PRODUCT DIMENSIONS: 75-91.5 in. x 72-90 in. x 65 in.

SHIPPING DIMENSIONS: 42 in. x 20 in x 65 in.

SHIPPING WEIGHT: 210 lbs



POWERLIFT PL65 STRADDLE BASE LEG EXTENSION (2 PACK) - 4027399

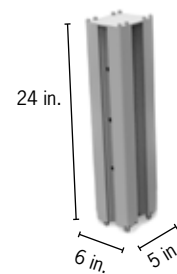
DESCRIPTION:

The PowerLift PL65 straddle base leg extension allows for additional adjustment on two sides of the straddle base. Includes two extensions.

PRODUCT DIMENSIONS: 6 in. x 5 in. x 24 in.

SHIPPING DIMENSIONS: 13 in. x 6 in. x 24 in.

SHIPPING WEIGHT: 30 lbs



POWERLIFT TILTED-BACK HANDLE + WHEEL KIT - 4027519

DESCRIPTION:

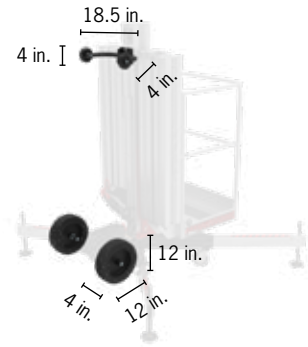
The tilted-back handle and wheel kit can be attached to the PowerLift PL20 or PL65 with outrigger base option to allow the lift to be maneuvered over uneven surfaces with ease. Great for transporting from jobsite to jobsite.

Note: The tilted-back handle and wheel kit is required for use with our Hitch Hauler (4026236).

PRODUCT DIMENSIONS: Wheel: 4 in. x 12 in. x 12 in. ■ Tilted-back Handle: 18.5 in. x 4 in. x 4 in.

SHIPPING DIMENSIONS: 24 in. x 16 in. x 6 in.

SHIPPING WEIGHT: 12 lbs



POWERLIFT HITCH HAULER - 4026236

DESCRIPTION:

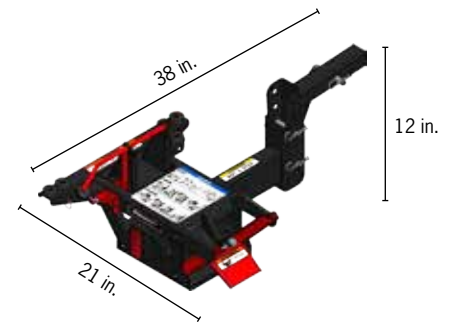
The convenient Hitch Hauler eliminates the need for a truck or trailer to transport the PowerLift PL20 and PowerLift PL65 with an outrigger base. This option allows any vehicle with a type III receiver hitch to transport the PowerLift in town or on the highway. Loads, unloads, and secures in under 15 seconds. No ropes, chains, or straps required.

Note: The tilt-back handle and wheel kit (4027519) is required for use with our Hitch Hauler.

PRODUCT DIMENSIONS: 38 in. x 21 in. x 12 in.

SHIPPING DIMENSIONS: 28.5 in. x 22.25 in. x 13.5 in.

SHIPPING WEIGHT: 50 lbs



POWERLIFT NARROW PLATFORM - 4026408

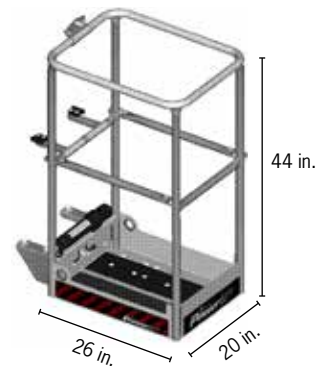
DESCRIPTION:

The narrow platform allows you to get through t-bar applications and fits all the PowerLift models.

PRODUCT DIMENSIONS: 26 in. x 20 in. x 44 in.

SHIPPING DIMENSIONS: 26 in. x 20 in. x 44 in.

SHIPPING WEIGHT: 35 lbs



POWERLIFT CRANE HOOK KIT - 4026616

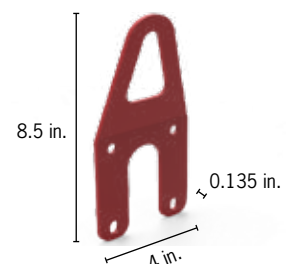
DESCRIPTION:

The PowerLift crane hook kit provides safe and convenient boom truck loading and fits all the PowerLift models.

PRODUCT DIMENSIONS: 4 in. x 0.135 in. x 8.5 in.

SHIPPING DIMENSIONS: 4 in. x 0.135 in. x 8.62 in.

SHIPPING WEIGHT: 1 lb



POWERMAST CLIMBING UNIT - 4026151

DESCRIPTION:

The PowerMast climbing unit features a gearbox with overload clutch, overspeed brake, and drop stop lever.

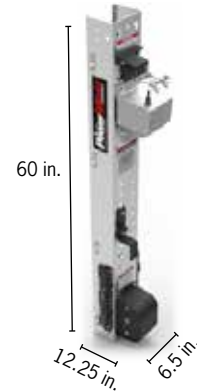
FEATURES:

- PowerTrak technology powered drive system
- Safe and reliable performance

PRODUCT DIMENSIONS: 6.5 in. x 12.25 in. x 60 in.

SHIPPING DIMENSIONS: 13 in. x 12.5 in. x 60 in.

SHIPPING WEIGHT: 56 lbs



POWERMAST PLATFORM SUPPORT - 4026156

DESCRIPTION:

The PowerMast platform support fastens to the climbing unit with four quick-locking pins. It is adjustable from 20 to 33 inches in order to accommodate most platform and rail systems.

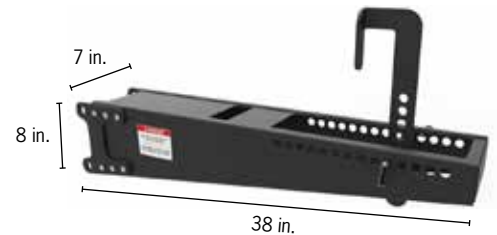
FEATURES:

- Quick-attach mount system
- Accommodates most platform and rail systems

PRODUCT DIMENSIONS: 38 in. x 7 in. x 8 in.

SHIPPING DIMENSIONS: 40 in. x 10 in. x 10 in.

SHIPPING WEIGHT: 29 lbs



POWERMAST SIDE MOUNT T-BRACKET - 4027650

DESCRIPTION:

The PowerMast side mount t-bracket fastens to the platform support with two quick-locking pins. It allows the climbing unit to be mounted on the end of a platform, freeing up space on the sides of the platform for more wall access.

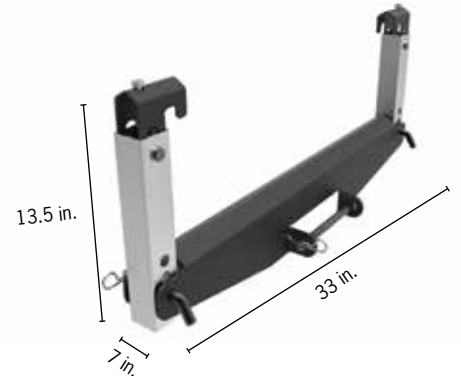
FEATURES:

- Quick-attach mount system
- Accommodates most platform and rail systems

PRODUCT DIMENSIONS: 33 in. x 7 in. x 13.5 in.

SHIPPING DIMENSIONS: 36 in. x 7 in. x 7 in.

SHIPPING WEIGHT: 25 lbs



POWERMAST SINGLE MOUNT PLATFORM ASSEMBLY - 4027185

DESCRIPTION:

The single mount platform assembly attaches to the PowerMast climbing unit and allows the attachment of platforms and baskets from manufacturers other than ReechCraft.

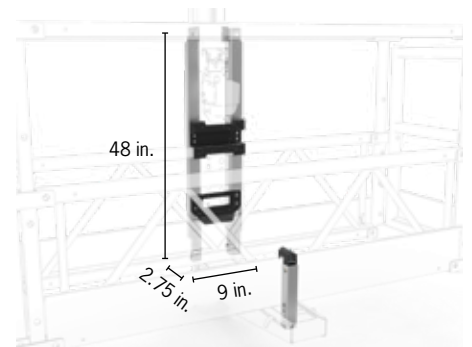
FEATURES:

- Rigid aluminum construction
- Easy assembly
- Quick-attach design

PRODUCT DIMENSIONS: 9 in. x 2.75 in. x 48 in.

SHIPPING DIMENSIONS: 9.5 in. x 6 in. x 48.5 in.

SHIPPING WEIGHT: 25 lbs



POWERMAST 5 FT MAST - 4026375

DESCRIPTION:

The PowerMast features a quick, tools-free connection to ensure efficiency and safety while stacking masts. Each mast includes a redundant locking feature that requires each mast connection to be locked in place before raising the climbing unit.

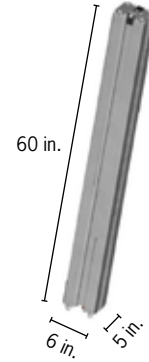
FEATURES:

- Tools-free connection
- Automatic over-top stop
- High-strength aluminum alloy mast

PRODUCT DIMENSIONS: 6 in. x 5 in. x 60 in.

SHIPPING DIMENSIONS: 6 in. x 5 in. x 60 in.

SHIPPING WEIGHT: 35 lbs



POWERMAST 32 IN. MAST - 4022906

DESCRIPTION:

The PowerMast features a quick, tools-free connection to ensure efficiency and safety while stacking masts. Each mast includes a redundant locking feature that requires each mast connection to be locked in place before raising the climbing unit.

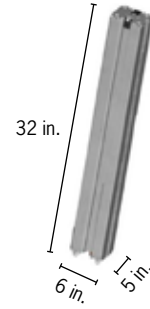
FEATURES:

- Tools-free connection
- Automatic over-top stop
- High-strength aluminum alloy mast

PRODUCT DIMENSIONS: 6 in. x 5 in. x 32 in.

SHIPPING DIMENSIONS: 6 in. x 5 in. x 32 in.

SHIPPING WEIGHT: 21 lbs



POWERMAST ADJUSTABLE TIE - 4026377

DESCRIPTION:

The PowerMast adjustable tie provides a wide variety of attachment options for the PowerMast system. Bring the mast 6 to 16 inches away from the wall with this bracket (extra extension tubes can be made to extend further).

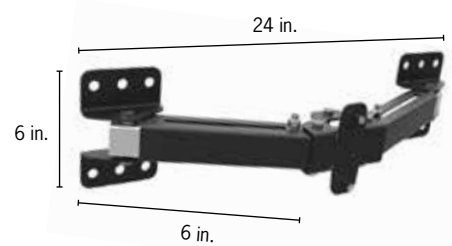
FEATURES:

- 10 in. of adjustment
- Folds in half for storage

PRODUCT DIMENSIONS: 24 in. x 6 in. x 6 in.

SHIPPING DIMENSIONS: 17 in. x 6 in. x 6.5 in.

SHIPPING WEIGHT: 8 lbs



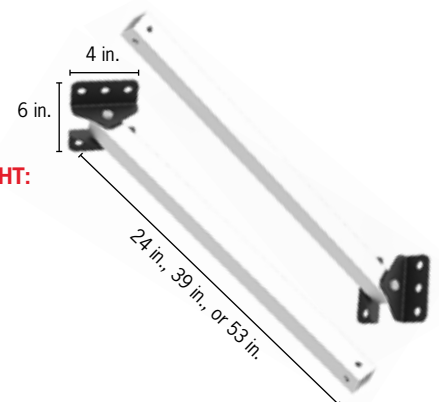
POWERMAST TIE EXTENSION (2 PACK) - 4026648, 4027999, 4028101

DESCRIPTION:

The PowerMast tie extensions replace the standard tubes on the adjustable tie (4026377) to mount further from the wall for large wall obstructions or offsets. Three sizes of tie extensions are available to meet your project needs.

ITEM # : ADJUSTMENT: PRODUCT DIMENSIONS: SHIPPING DIMENSIONS: SHIPPING WEIGHT:

4026648	12-29 in.	24 in. x 4 in. x 6 in.	26 in. x 6.5 in. x 6 in.	5 lbs
4027999	18-42 in.	39 in. x 4 in. x 6 in.	44 in. x 7.75 in. x 6 in.	5.5 lbs
4028101	24-55 in.	53 in. x 4 in. x 6 in.	73 in. x 7.3 in. x 3.2 in.	5.75 lbs



POWERMAST FREESTANDING TRI-MAST TIE - 4027602

DESCRIPTION:

The PowerMast freestanding tri-mast tie holds three masts together for added support when used in conjunction with the freestanding base.

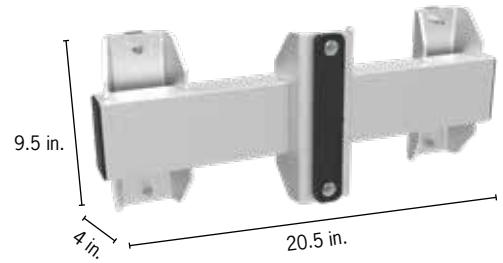
FEATURES:

- Provides rigid support between mast sections
- Used in freestanding setup

PRODUCT DIMENSIONS: 20.5 in. x 4 in. x 9.5 in.

SHIPPING DIMENSIONS: 21 in. x 4 in. x 10 in.

SHIPPING WEIGHT: 12 lbs



POWERMAST 10 IN. x 10 IN. BASE FOOT - 4026382

DESCRIPTION:

The PowerMast base foot uses the same quick connection as the masts, while providing a bottom stop for the climbing unit. This base can also be anchored to the ground surface.

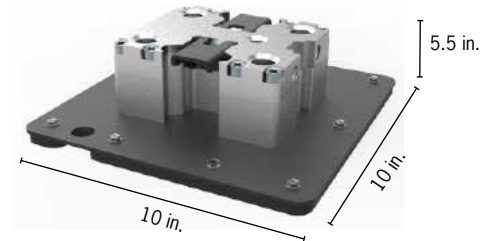
FEATURES:

- Tools-free connection
- Heavy-duty rubber base

PRODUCT DIMENSIONS: 10 in. x 10 in. x 5.5 in.

SHIPPING DIMENSIONS: 11 in. x 11 in. x 4 in.

SHIPPING WEIGHT: 10 lbs



POWERMAST FREESTANDING BASE - 4026430

DESCRIPTION:

The PowerMast freestanding base allows three mast sections to be mounted as a rigid column, allowing ample support without the need of wall support.

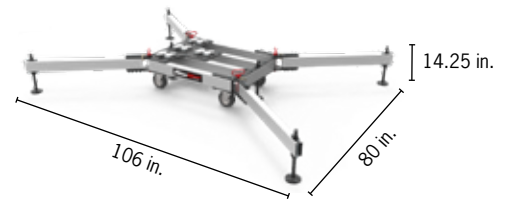
FEATURES:

- Freestanding capabilities
- Adjustable outrigger positioning
- Portable and useful in many situations

PRODUCT DIMENSIONS: 106 in. x 80 in. x 14.25 in.

SHIPPING DIMENSIONS: 101 in. x 75 in. x 15 in.

SHIPPING WEIGHT: 267 lbs



POWERMAST SINGLE PERSON PLATFORM - 4026795

DESCRIPTION:

The single person platform can be used in the original PowerMast setup and also works great with the freestanding option. The platform fits one person, weighs just 35 pounds, and can be entered from either side.

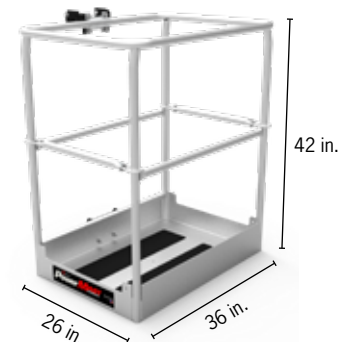
FEATURES:

- Dual side entry
- Highly portable
- Quick-attach design

PRODUCT DIMENSIONS: 36 in. x 26 in. x 42 in.

SHIPPING DIMENSIONS: 42 in. x 38 in. x 47 in.

SHIPPING WEIGHT: 60 lbs



POWERPOLE CLIMBING UNIT - 4022800

The PowerPole climbing unit enables the climbing capabilities of the PowerPole system. Powered by a 1/2-inch drill, the PowerTrak system has a 650-pound load rating and offers extreme performance in a compact package, providing all the capacity needed to lift workers, tools, and materials into position. Each climbing unit is equipped with a gearbox to power the unit and a drill brace to secure the drill. Build your own system by bolting on your choice of platform supports and accessories for a wide variety of tasks. The PowerPole gearbox includes an integrated overspeed brake for added safety.

FEATURES:

- Lightweight, efficient design
- Durable construction
- Safety locking lever

PRODUCT DIMENSIONS: 5.75 in. x 7.5 in. x 45 in.

SHIPPING DIMENSIONS: 18 in. x 7 in. x 53 in.

SHIPPING WEIGHT: 29 lbs



POWERPOLE POWERLATCH ASSEMBLY - 4027708/4022771

Upgrade the PowerPole climbing unit with this quick latch system. Quickly reconfigure the PowerPole for a variety of jobs by connecting platform and workbench supports or a single person platform. Transporting the PowerPole is easier since attachments are removed, leaving only the slender and compact climbing unit on the pole. Choose the single-sided PowerLatch for most applications, or the double-sided PowerLatch to use our single person platform, or to connect a platform support on each side of the climbing unit.

FEATURES:

- Tools-free quick-attach design
- Standard multi-attachment interface
- Heavy-duty dual safety pins

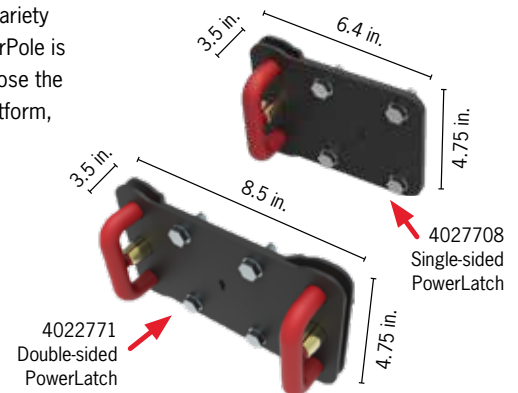
PRODUCT DIMENSIONS:

Single-sided: 6.4 in. x 3.5 in. x 4.75 in.

Double-sided: 8.5 in. x 3.5 in. x 4.75 in.

SHIPPING DIMENSIONS: 10 in. x 6.5 in. x 6.5 in.

SHIPPING WEIGHT: 8 lbs



POWERPOLE PLATFORM SUPPORT - 4022772

The platform support is used for dual mast configurations. With 11 inches of adjustment, this support accommodates a wide range of standard work platforms from 12 to 24 inches.

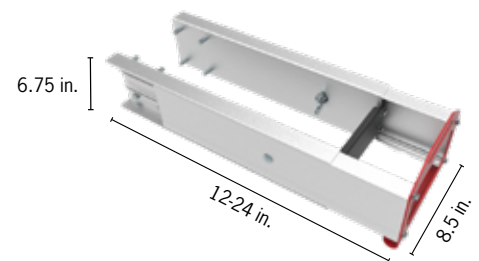
FEATURES:

- 12 in. of tools-free adjustment
- Supports a wide variety of platforms
- Universal platform tie chain included

PRODUCT DIMENSIONS: 12-24 in. x 8.5 in. x 6.75 in.

SHIPPING DIMENSIONS: 21 in. x 10 in. x 10 in.

SHIPPING WEIGHT: 12 lbs



POWERPOLE PLATFORM SUPPORT WITH POWERLATCH CONNECTOR - 4022179

The platform support is used for dual mast configurations and is installed with the PowerLatch connector. With 11 inches of adjustment, the platform support is easily used with the PowerLatch assembly to accommodate a wide range of standard work platforms from 12 to 28 inches.

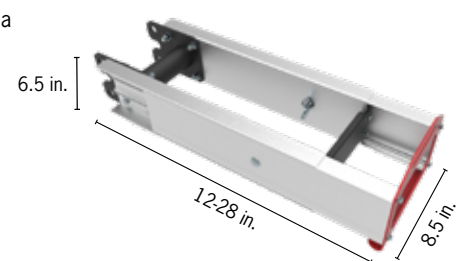
FEATURES:

- 16 in. of tools-free adjustment
- Supports a wide variety of platforms
- Universal platform tie chain included

PRODUCT DIMENSIONS: 12-28 in. x 8.5 in. x 6.5 in.

SHIPPING DIMENSIONS: 21 in. x 10 in. x 10 in.

SHIPPING WEIGHT: 16 lbs



POWERPOLE SINGLE PERSON PLATFORM - 4022756

The PowerPole with platform attachment is truly a product of its own. When used with the PowerPole outrigger base, you can set up a single mast in a few minutes and work at heights up to 24 feet with no wall ties. Other configurations allow heights up to 75 feet. The platform features dual entry and a large 36 inch wide x 26 inch deep work area, providing ample working space for you, your tools, and your equipment. The platform quickly attaches to the climbing unit via the PowerLatch. Choose the single person platform for fast access.

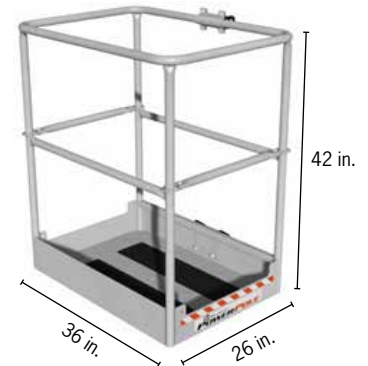
FEATURES:

- Dual side entry
- Highly portable
- Quick-attach design

PRODUCT DIMENSIONS: 36 in. x 26 in. x 42 in.

SHIPPING DIMENSIONS: 42 in. x 38 in. x 47 in.

SHIPPING WEIGHT: 60 lbs



POWERPOLE SPEEDRAIL MIDRAIL POST (2 PACK) - 4022785

The speedrail midrails attach to the workbench and mount to the walkboard securely with a chain. The posts are placed 8 feet apart or less. Wooden 2x4s are then mounted to the midrail post to complete the midrail and toerail.

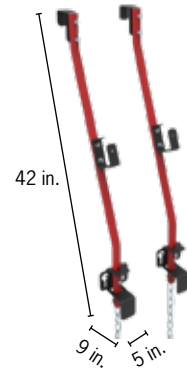
FEATURES:

- No-tools connection
- Fits stages from leading manufacturers

PRODUCT DIMENSIONS: 9 in. x 5 in. x 42 in.

SHIPPING DIMENSIONS: 10 in. x 5.25 in. x 48 in.

SHIPPING WEIGHT: 17 lbs



POWERPOLE SPEEDRAIL ENDRAIL (2 PACK) - 4022071

The speedrail endrails fasten to the climbing unit with the PowerLatch.

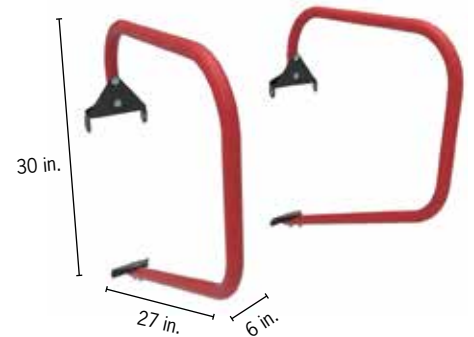
FEATURES:

- No-tools connection
- Works with any stage (PowerPole configuration)

PRODUCT DIMENSIONS: 27 in. x 6 in. x 30 in.

SHIPPING DIMENSIONS: 28.5 in. x 7 in. x 31.75 in.

SHIPPING WEIGHT: 11 lbs



POWERPOLE STANDOFF TIE - 4022432

The standoff tie accommodates most pitched rooflines, including valleys. It also makes a stable wall tie that will safely secure the PowerPole system to different types of buildings.

FEATURES:

- Accommodates most pitched rooflines
- Light and durable

PRODUCT DIMENSIONS: 36 in. x 33.5 in. x 4 in.

SHIPPING DIMENSIONS: 48 in. x 11.5 in. x 6 in.

SHIPPING WEIGHT: 12 lbs



POWERPOLE SUPER STANDOFF TIE - 4022178

The super standoff tie has extra long tubes to allow roof access. By placing the platform at roof level, the PowerPole tilt-up system can serve as roofline fall protection.

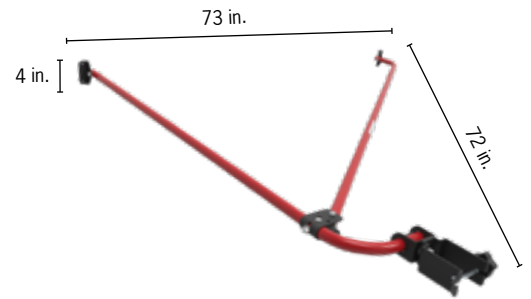
FEATURES:

- Versatile design
- Enables roofline access

PRODUCT DIMENSIONS: 72 in. x 73 in. x 4 in.

SHIPPING DIMENSIONS: 93 in. x 10.75 in. x 3 in.

SHIPPING WEIGHT: 20 lbs



POWERPOLE V-BRACE - 4022754

The v-brace is used in conjunction with the outrigger base, providing a stable rest for the top of the poles. This v-brace is light and easy to slide up and down the pole, even while attached to the system. The non-marking bumpers provide cushion for delicate wall surfaces while gripping to the wall for stability. Each v-brace comes standard with a 500-pound-rated ratchet strap and wall anchor plate for use above 24 feet. This v-brace puts the center of the pole 33 inches from the wall.

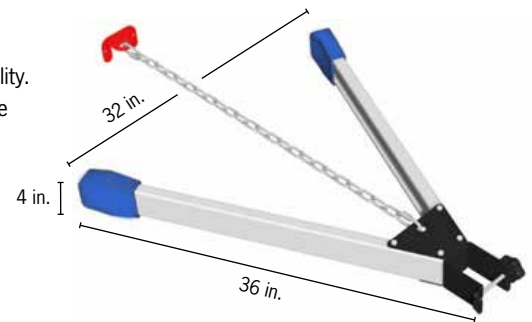
FEATURES:

- Lightweight design
- Protects glass and paint surfaces

PRODUCT DIMENSIONS: 36 in. x 32 in. x 4 in.

SHIPPING DIMENSIONS: 43 in. x 36 in. x 6 in.

SHIPPING WEIGHT: 10 lbs



POWERPOLE EXTENDABLE V-BRACE - 4022629

This extendable v-brace allows you to extend an additional 18 inches and move in 2-inch increments, creating a total wall distance of 51 inches when fully extended. The extendable v-brace also folds for easy storage and comes standard with a 500-pound-rated ratchet strap and wall anchor plate.

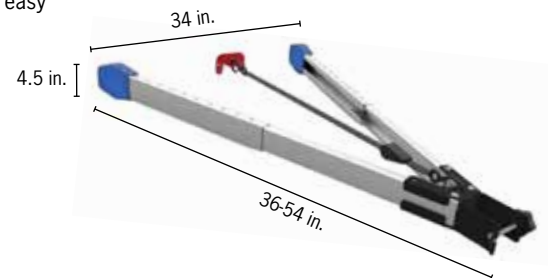
FEATURES:

- Allows to extend an additional 18 in.
- Foldable for compact transport

PRODUCT DIMENSIONS: 36-54 in. x 34 in. x 4.5 in.

SHIPPING DIMENSIONS: 43 in. x 36 in. x 6 in.

SHIPPING WEIGHT: 14 lbs



POWERPOLE 12 FT POLE SECTION - 4022084

A PowerPole setup can be constructed using any combination of 6-foot and 12-foot poles. Using 12-foot pole sections will decrease the number of couplers to bolt together, creating a lighter assembly.

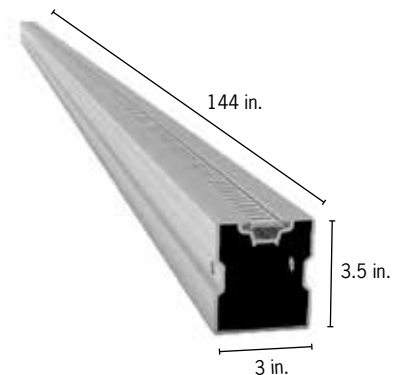
FEATURES:

- High-strength aluminum alloy pole
- Galvanized replaceable steel track

PRODUCT DIMENSIONS: 3 in. x 3.5 in. x 144 in.

SHIPPING DIMENSIONS: 3 in. x 3.5 in. x 144 in.

SHIPPING WEIGHT: 35 lbs



POWERPOLE 6 FT POLE SECTION - 4022435

A PowerPole setup can be constructed using any combination of 6-foot and 12-foot sections. Using 6-foot pole sections allows for more compact transport and storage, but increases the number of couplers to bolt together.

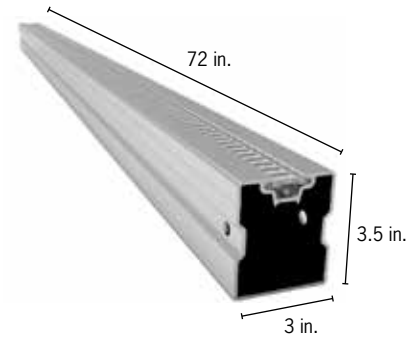
FEATURES:

- High-strength aluminum alloy pole
- Galvanized replaceable steel track

PRODUCT DIMENSIONS: 3 in. x 3.5 in. x 72 in.

SHIPPING DIMENSIONS: 3 in. x 3.5 in. x 72 in.

SHIPPING WEIGHT: 18 lbs



POWERPOLE 4 FT POLE COUPLER - 4022096

A PowerPole setup can be constructed using any combination of 6-foot and 12-foot poles. Use this 4-foot pole coupler to connect the mast sections using built-in snap buttons. No tools required.

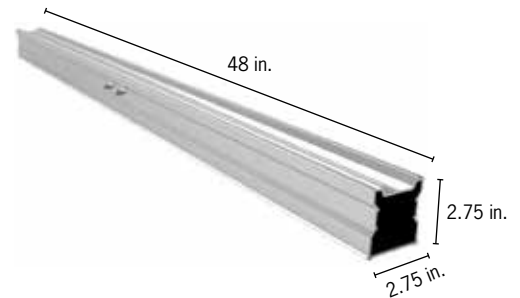
FEATURES:

- High-strength aluminum alloy pole
- No tools required

PRODUCT DIMENSIONS: 2.75 in. x 2.75 in. x 48 in.

SHIPPING DIMENSIONS: 4.5 in. x 4 in. x 48 in.

SHIPPING WEIGHT: 10 lbs



POWERPOLE 10 IN. x 10 IN. BASE FOOT - 4022465

DESCRIPTION:

The base foot attaches to the bottom of the base mast section. The belted rubber backing is durable and provides protection and solid footing during the setup process. The large area lowers the ground pressure for earthen surfaces. Each foot has two holes for pinning to the ground or larger sill plate. Pinning to the ground surface may not be required if secured by alternate means. Refer to the user manual for specific setup requirements.

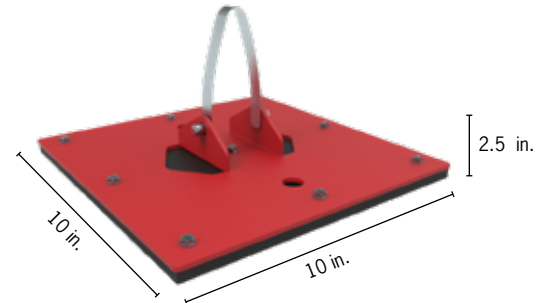
FEATURES:

- Large base offers low surface pressure
- Belted rubber backing

PRODUCT DIMENSIONS: 10 in. x 10 in. x 2.5 in.

SHIPPING DIMENSIONS: 10 in. x 10 in. x 2.5 in.

SHIPPING WEIGHT: 6 lbs



POWERPOLE OUTRIGGER BASE - 4022791

DESCRIPTION:

The PowerPole outrigger base makes setup and moving around a jobsite easy. The rugged steel stabilizers keep you pressed into the wall, allowing a 24-foot work height without tying into the structure. Each side of the outrigger base has a stabilizer that adjusts 8 inches to level the system. The assembly clamps onto the mast by hand and can be removed and folded for compact transport to the next jobsite.

FEATURES:

- Fast setup
- Move PowerPole easily
- Allows 24 ft reach without anchors

PRODUCT DIMENSIONS: 58 in. x 37 in. x 14.5 in.

SHIPPING DIMENSIONS: 48 in. x 17 in. x 10.5 in.

SHIPPING WEIGHT: 56 lbs

