



PL20: NOTHING ELSE STACKS UP

Finally, a practical lift for tight spaces in schools, offices, industrial buildings, and residences.

PRACTICAL

- Stable at all heights
- 350 lb platform capacity
- Reaches 20 ft working height
- Complies with ANSI and OSHA safety standards

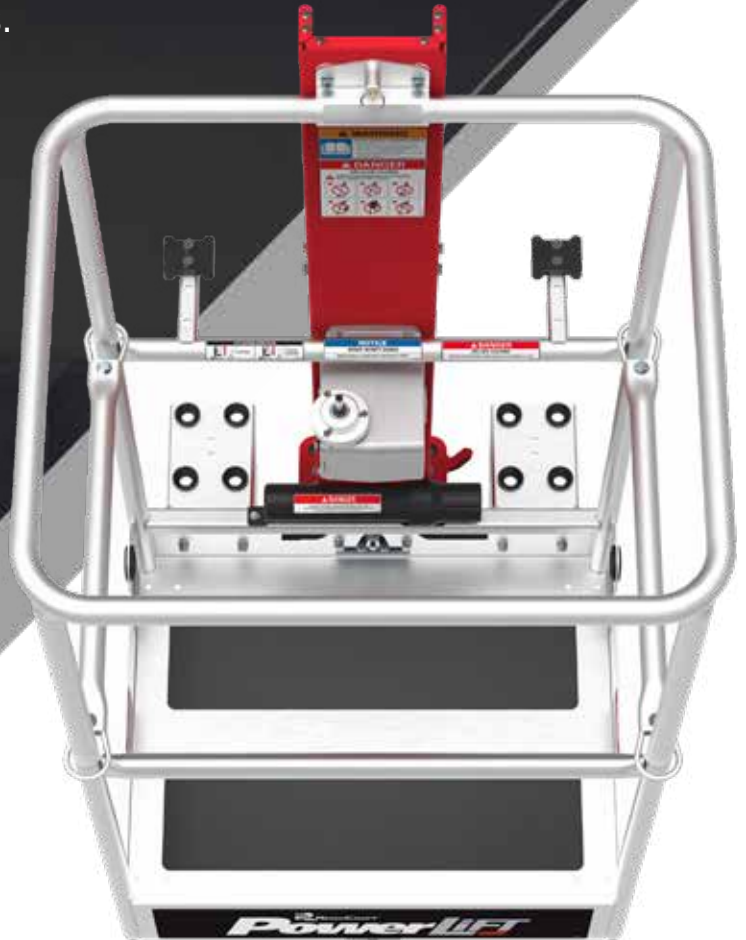
SMART DESIGN

- Powered by electric drill
- Masts stow and stack for quick extension
- Legs adjust to accommodate work surface

PORTABLE

- Fits through standard doors
- Rolls across any terrain
- Zero-turn radius
- One person can carry up stairs when disassembled

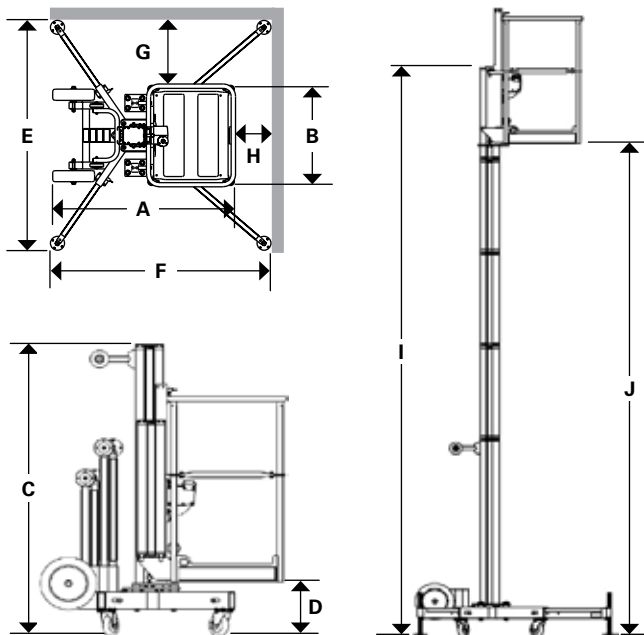
Note: For indoor use only.



» PL20 SPECIFICATIONS

GENERAL SPECIFICATIONS		
	Conforming Standard	ANSI A92.20
	Platform Capacity	350 lbs
	Power Source	AC or DC Drill
	Rated Horizontal Force	52.5 lbs
	Machine Weight	278 lbs
	Swivel/Lockable Casters	5 in. (Diameter)
	Platform Size (L x W)	26 in. x 30 in.
	Mast Section Weight	20.7 lbs
	Rear Outrigger Weight	7.8 lbs
	Front Outrigger Weight	10.3 lbs
	Flat-Free Transport Wheels	12 in. x 3.5 in.
	Drive	Worm Drive with Integrated Drive Gear & Brake
A	Stowed Length	53 in.
B	Stowed Width	30 in.
C	Stowed Height	69 in.
D	Minimum Platform Height	12.9 in.
E	Outrigger Footprint Width	67.1 in.
F	Outrigger Footprint Length	64.4 in.
G	Distance from Wall Side	18.5 in.
H	Distance from Wall Front	10.3 in.
I	Erected Mast Height	16.3 ft
J	Maximum Platform Height	14.3 ft
	Maximum Working Height	20.3 ft*

*Based on platform height plus 6 ft. **Note:** Specifications subject to change without notice.



ACCESSORIES + FEATURES



OVERSPEED BRAKE

The gearbox features an integrated overspeed brake. This provides safety redundancy by automatically stopping the platform in the event of overspeed.



CASTER WHEELS

The base features four swiveling and lockable casters that allow the PowerLift to easily rotate 360 degrees to make any job accessible.



TILT-BACK HANDLE + WHEEL KIT

The tilt-back handle and wheel kit can be attached to the PowerLift PL20 to allow the lift to be maneuvered over uneven surfaces with ease. Great for transporting from jobsite to jobsite.



LIGHTWEIGHT

The PowerLift is the lightest mid-range lift on the market. The components can easily be disassembled and carried to make the PowerLift even more portable.



HITCH HAULER

The convenient Hitch Hauler eliminates the need for a trailer—any vehicle with a two-inch receiver hitch can transport the PowerLift. The PowerLift can be loaded and secured in a matter of seconds, and no ropes, chains, or straps are required. With the Hitch Hauler, you can keep your storage space available in the vehicle.

